

**TAMEO KITS**

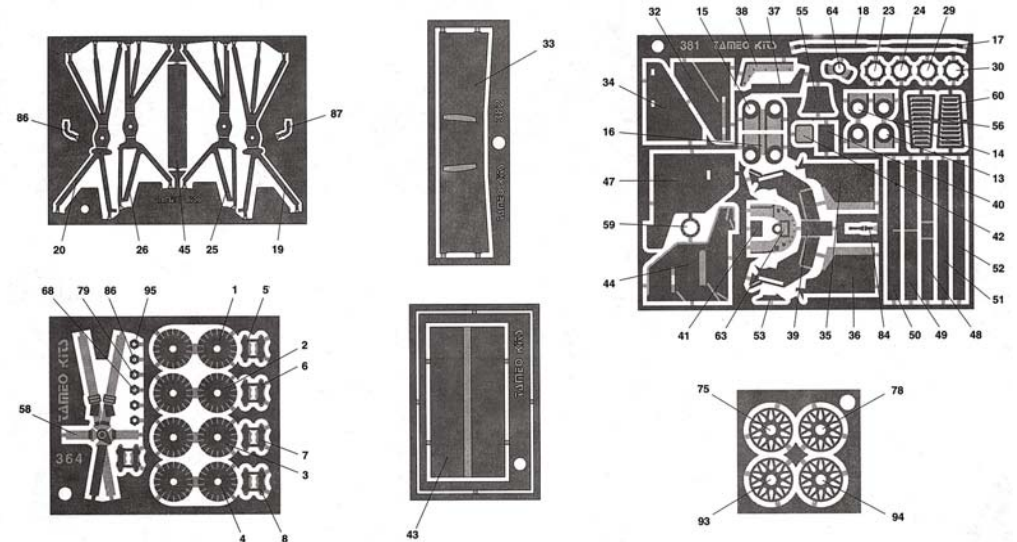
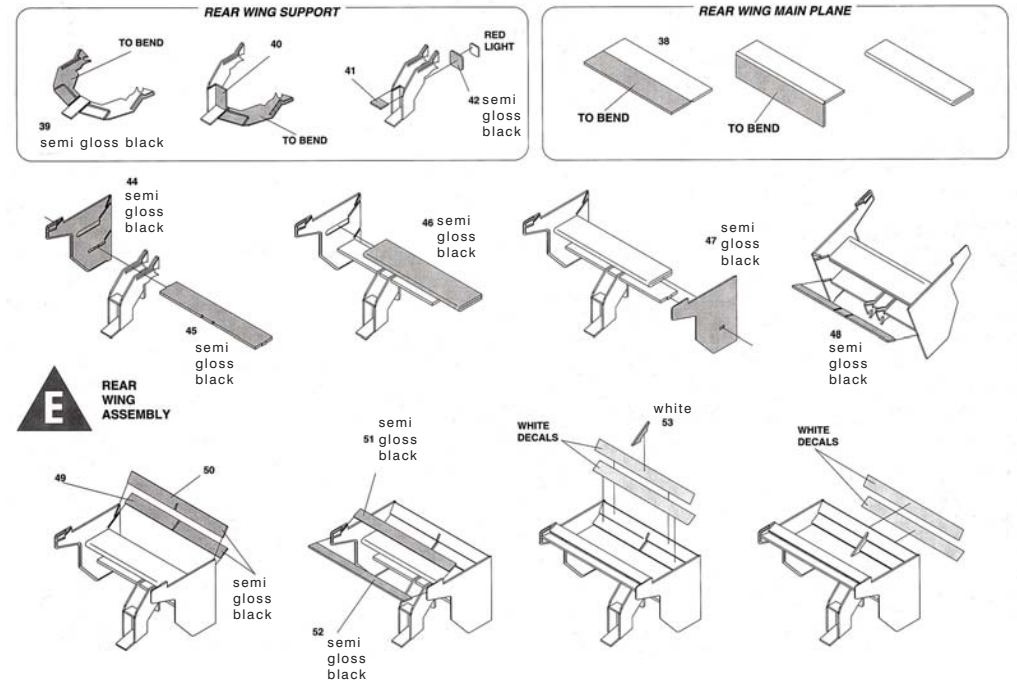
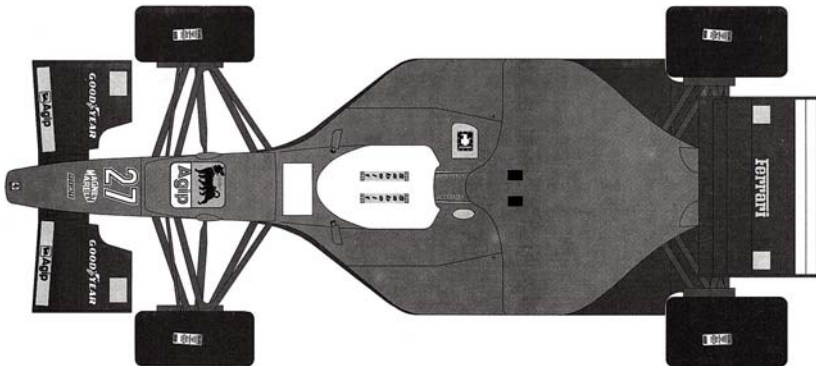
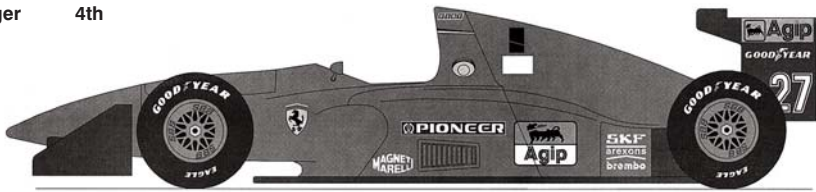


**TMK188 FERRARI 412T1  
CANADIAN G.P. 1994**



PHOTOS TAMEO ARCHIVES

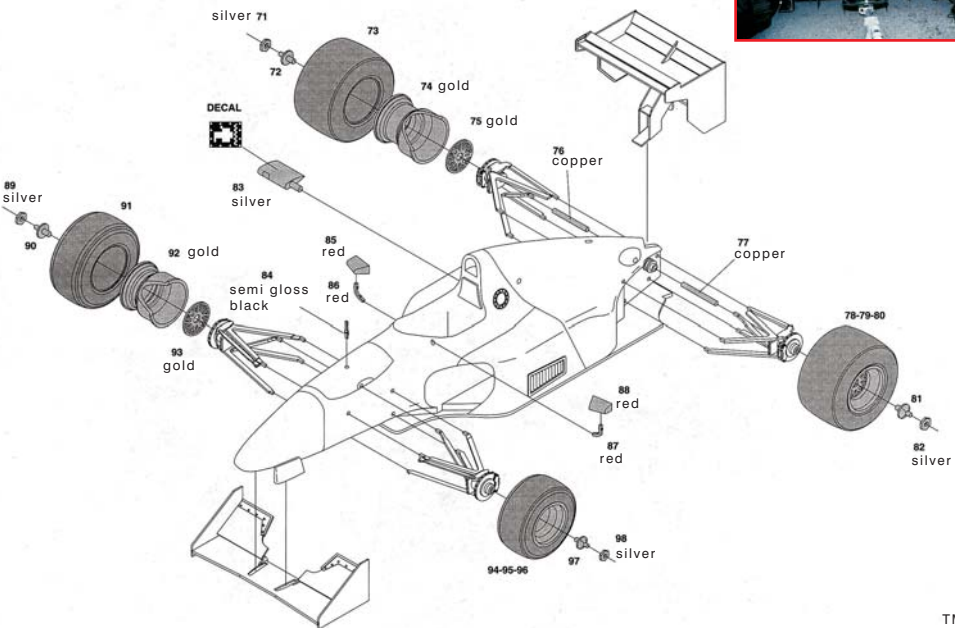
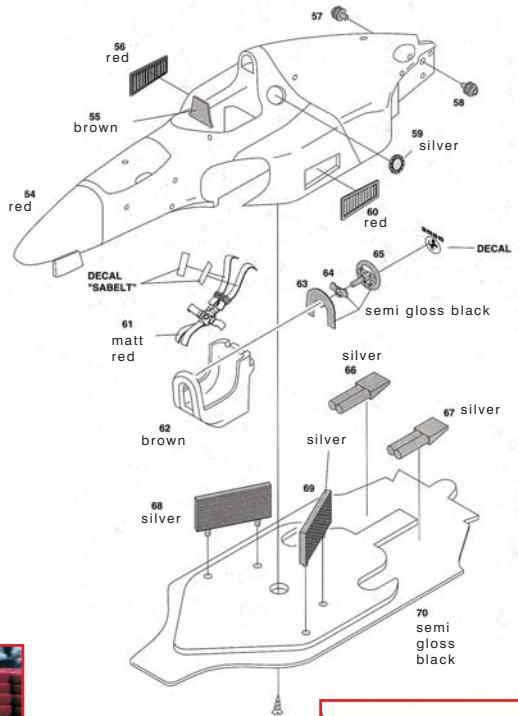
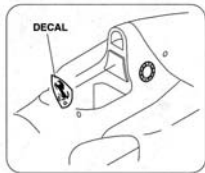
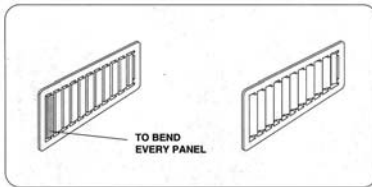
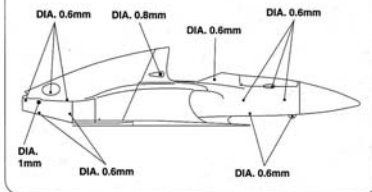
27 - J. Alesi 3rd  
28 - G. Berger 4th



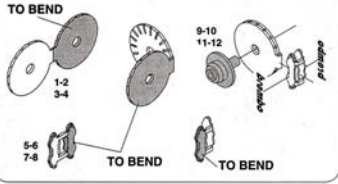
**TAMEO KITS srl**  
Via Valle, 25/6  
17022 BORGIO VEREZZI SV ITALY  
Tel. 39 019 - 615.250 Fax. 39 019 - 615.310  
website [www.tameokits.com](http://www.tameokits.com)  
e-mail [sales@tameokits.com](mailto:sales@tameokits.com)  
e-mail [technical@tameokits.com](mailto:technical@tameokits.com)

Made in Italy, Collector 1/43 Scale Models. Vietata la vendita ai minori di 14 anni. Nocivo per ingestione. Conservare fuori dalla portata dei bambini. Tameo Kits declina ogni responsabilità per un uso improprio del prodotto.  
Made in Italy, Collector 1/43 Scale Models. Not for sale to persons under 14 years of age. Dangerous if swallowed. Keep out of reach of children. Tameo Kits not held responsible for any damage or injury resulting from improper use of the product.  
Made in Italy, Collector 1/43 Scale Models. Vente interdite aux enfants de moins de 14 ans. Dangereux si avalé. Conserver hors de la portée des enfants. Tameo Kits décline toute responsabilité dans le cas de dommages dérivés de l'usage non approprié du produit.  
Made in Italy, Collector 1/43 Scale Models. Verkauf an jugendliche unter 14 Jahren verboten. Schädlich bei Einnahme. Von Kindern fernhalten. Tameo Kits lehnt jene Verantwortung bei unkorrektem Gebrauch seines Produktes ab.

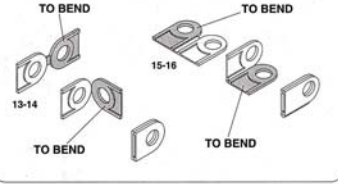
**HOW TO HOLE**



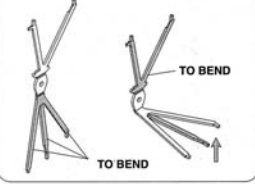
**DISKS & BRAKES CALLIPER ASSEMBLY**



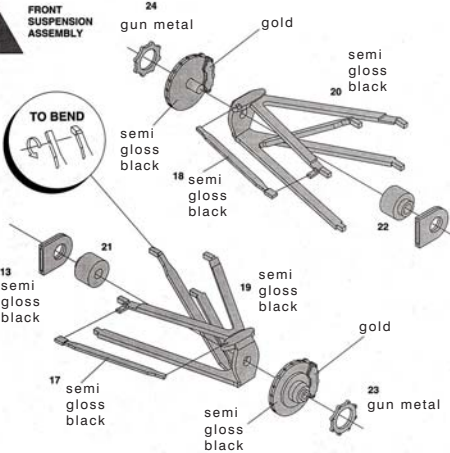
**BRAKE DUCTS ASSEMBLY**



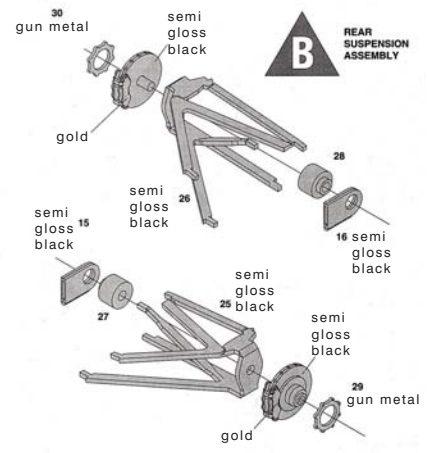
**HOW TO BEND SUSPENSIONS**



**A FRONT SUSPENSION ASSEMBLY**

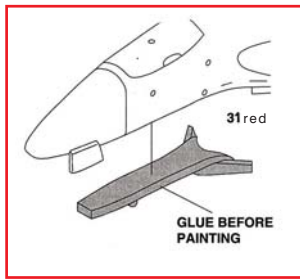


**B REAR SUSPENSION ASSEMBLY**

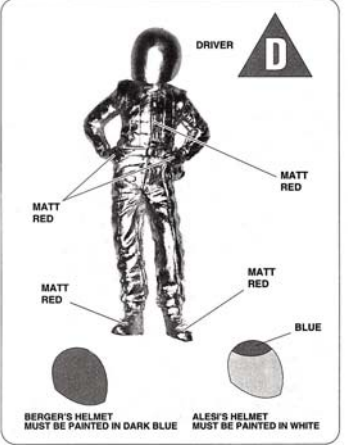
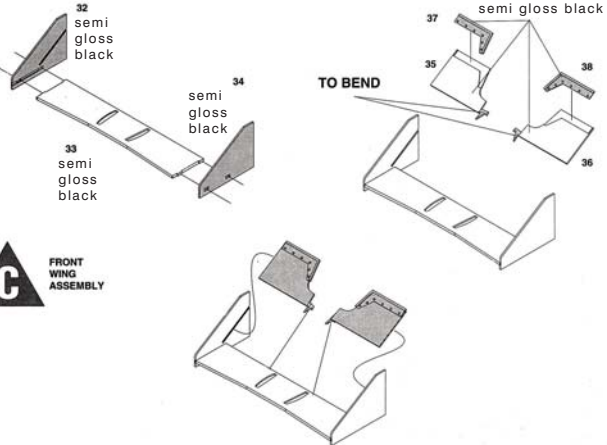


Rosso / Red : FERRARI 322 ROSSO CORSA 2CT  
FIAT 101/A ROSSO CORSA  
FORD 2251 / EM / P9 RADIANT RED  
BMW 257 TOPROT

Argento / Silver : TAMIYA  
X11  
Nero Satinato / Semi Gloss Black : TAMIYA X18  
Oro / Gold : TAMIYA  
X12  
Marrone / Brown : TAMIYA  
X9  
Rosso Opaco / Matt Red : TAMIYA



**C FRONT WING ASSEMBLY**



BERGER'S HELMET MUST BE PAINTED IN DARK BLUE  
ALES'S HELMET MUST BE PAINTED IN WHITE